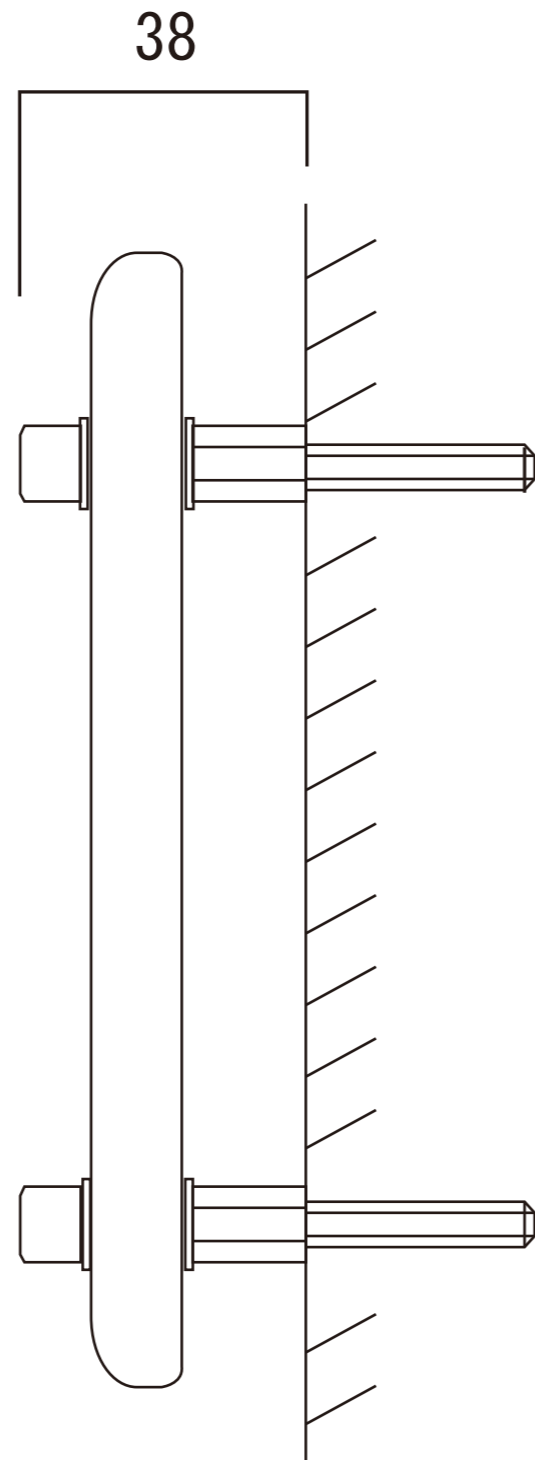
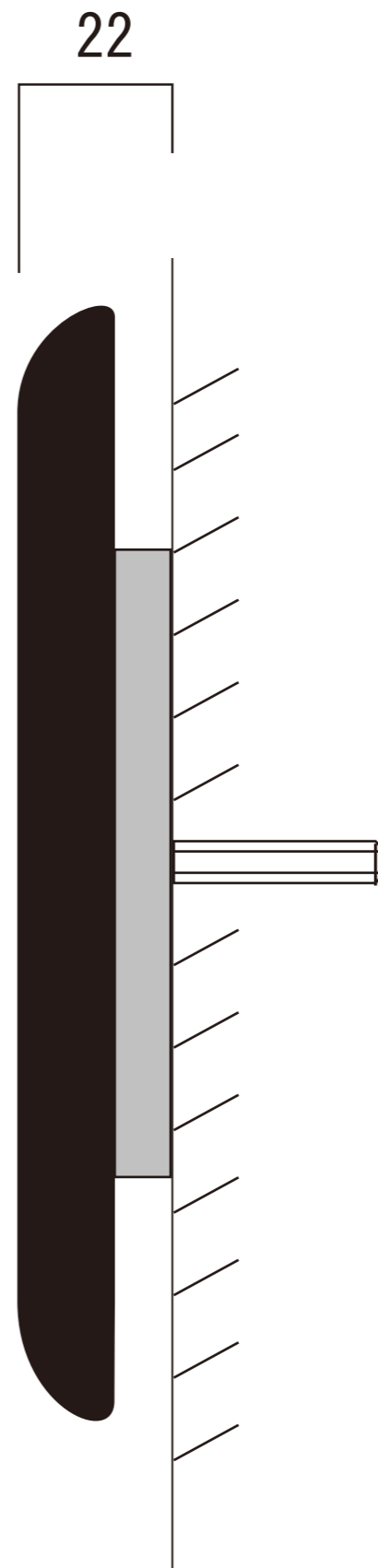


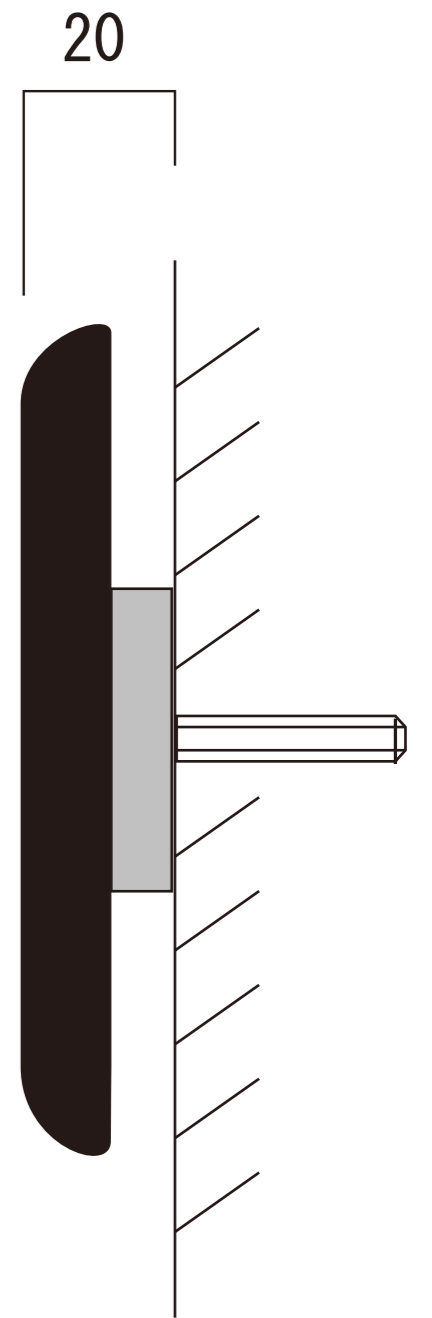
AG1-RKL04/06



AG1-RKL10/11
AG1-CKL02/04/05/06



AG1-BKL11



AG1-BKL08Z