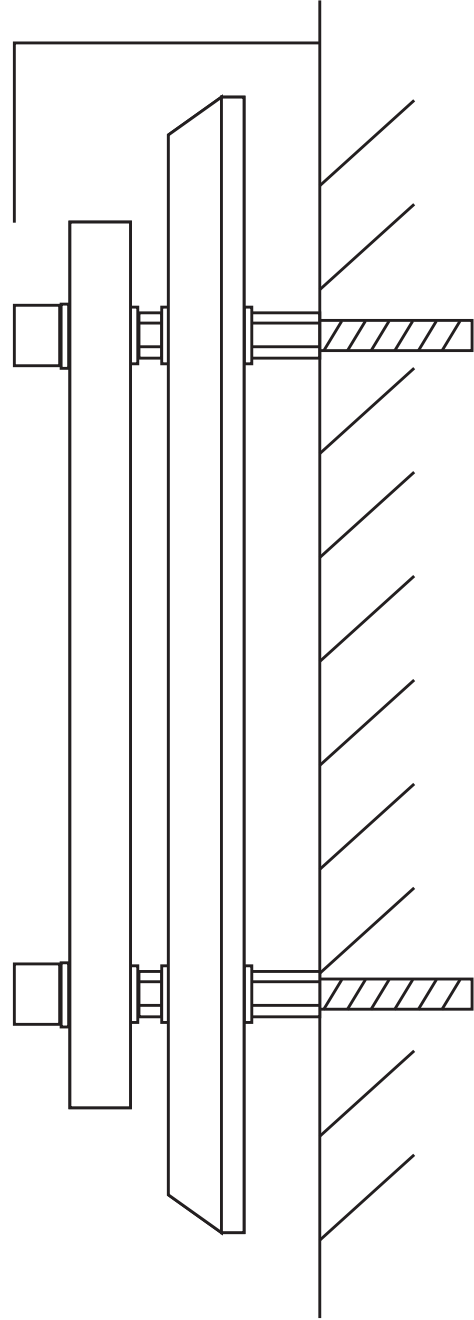
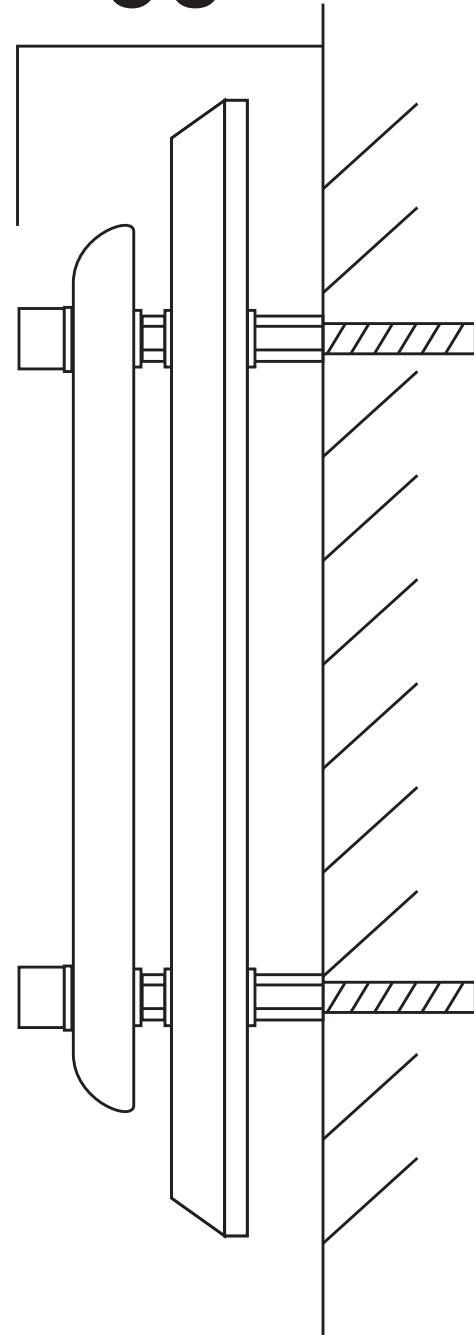


40



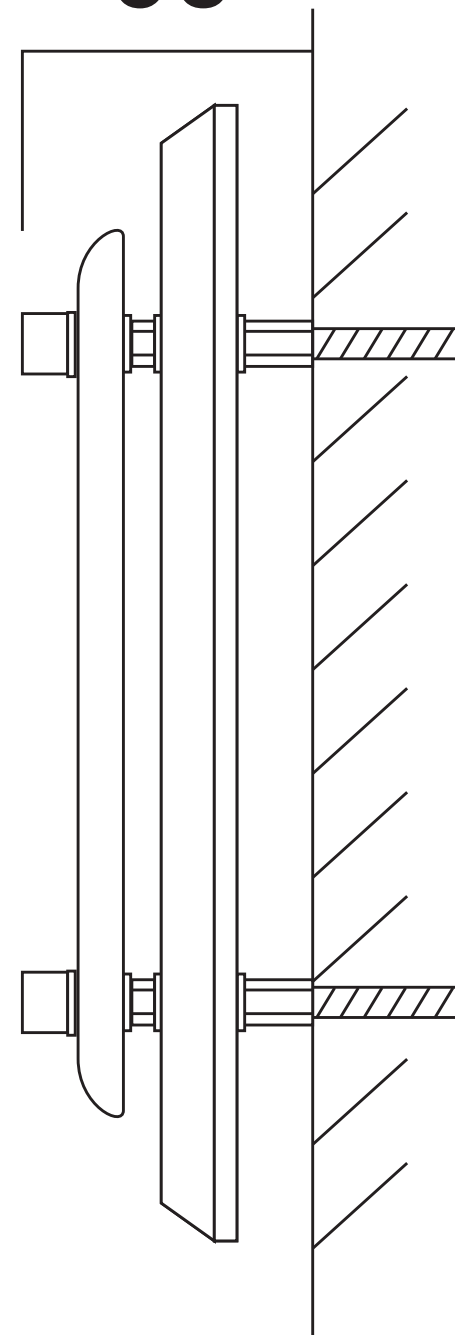
AG1-CRI01

38



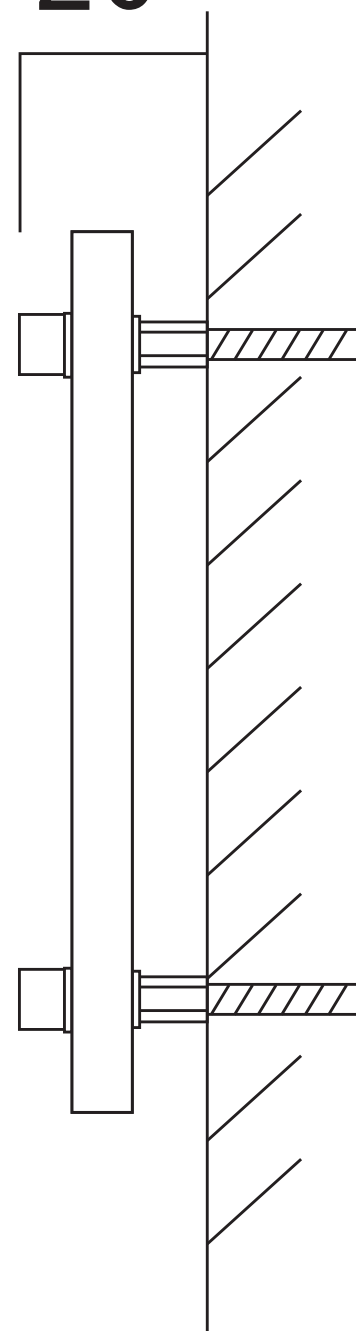
AG1-CRI02

38



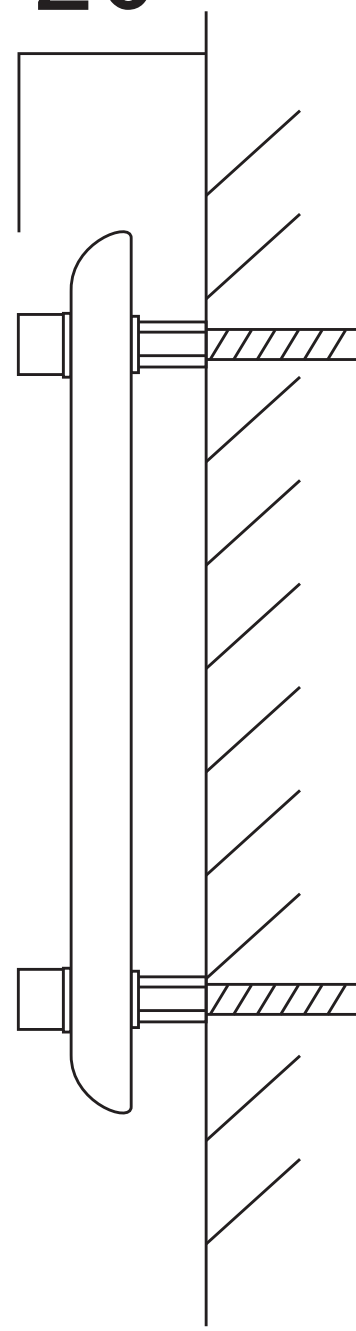
AG1-CRI03

26



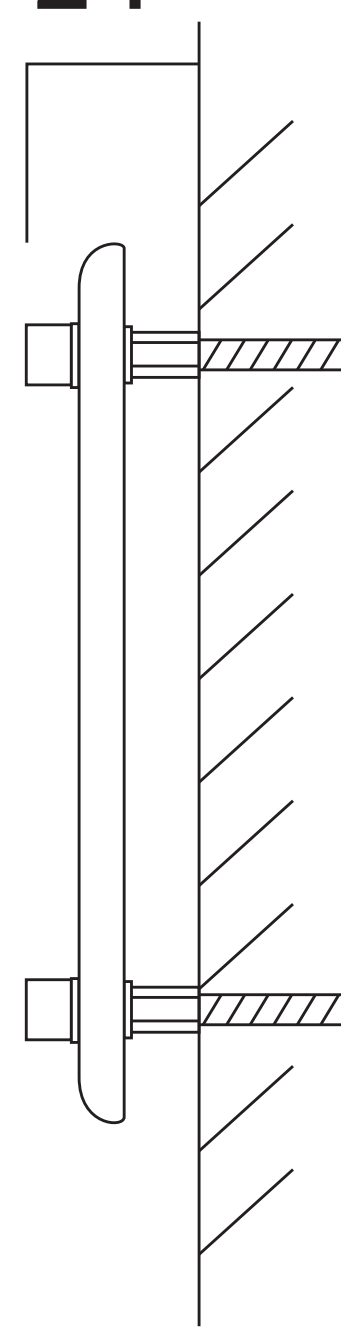
AG1-CLG01

26



AG1-CLG02

24



AG1-CLG03